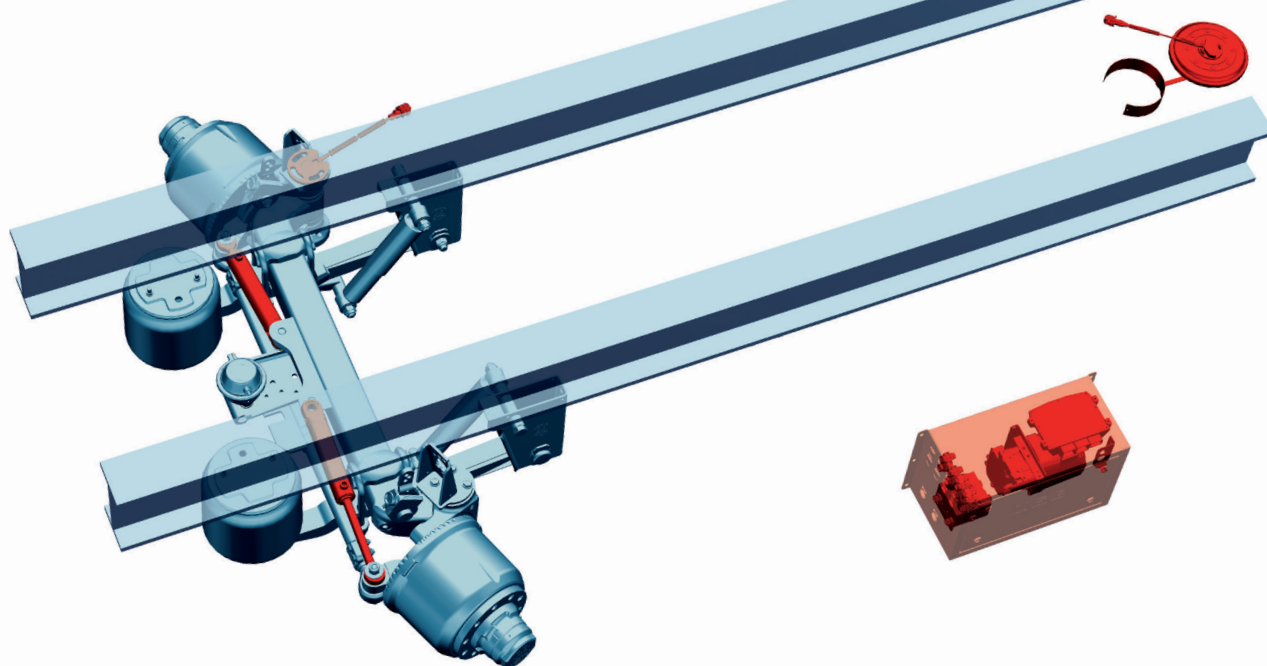


Steering assistance system for trailers with a self-steering axle

Specifications

- Standard software
- Single size system locker
- Only possible with a configuration with one self-steering axle
- Stainless steel system locker with a removable cover
- System temperature range: -30 to +40 °C
- Steering up to 25km/h
- Two steering cylinders
- Trackrod cylinder

Application

- Heavy transport
- Construction
- Tank transport
- Distribution
- Special transport

Weight	System locker dimensions L x W x H
40 kg	550 x 350 x 270 mm